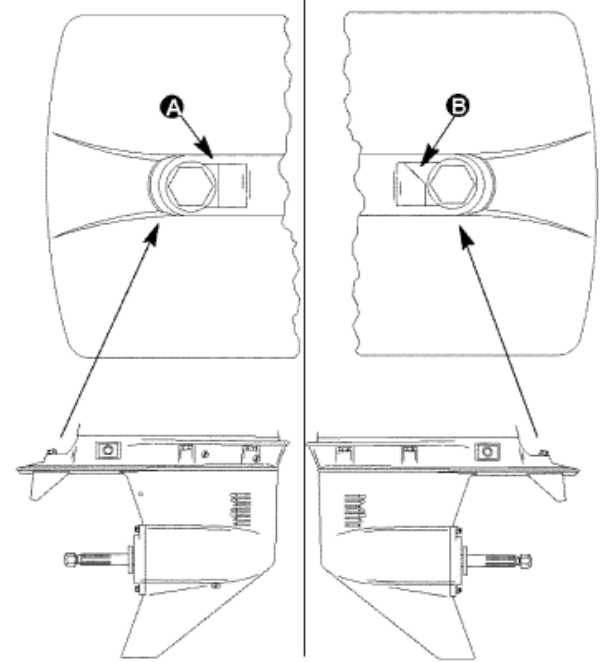


DESIGN I



DESIGN II

**NOTE:** TO INSURE ORDERING THE CORRECT REPLACEMENT GEAR HOUSING COMPONENTS, IDENTIFY YOUR GEAR HOUSING BY USING THE DIAGRAM ABOVE. IF YOUR GEAR HOUSING (DESIGN I - 3 JAW REVERSE CLUTCH) HAS A STRAIGHT MACHINED EDGE FOR TRIM TAB SCREW MOUNTING (A), ORDER FROM GEAR HOUSING BREAKDOWN PAGES (3 JAW REVERSE CLUTCH). IF YOUR GEAR HOUSING (DESIGN II - 6 JAW REVERSE CLUTCH) HAS AN ANGLED MACHINED EDGE (B) ORDER FROM GEAR HOUSING BREAKDOWN PAGES (6 JAW REVERSE CLUTCH).

Parts List						
Ref	Class	Part	Description	Qty	Comment	Footnote
			SEE NOTE ON ILLUSTRATION			